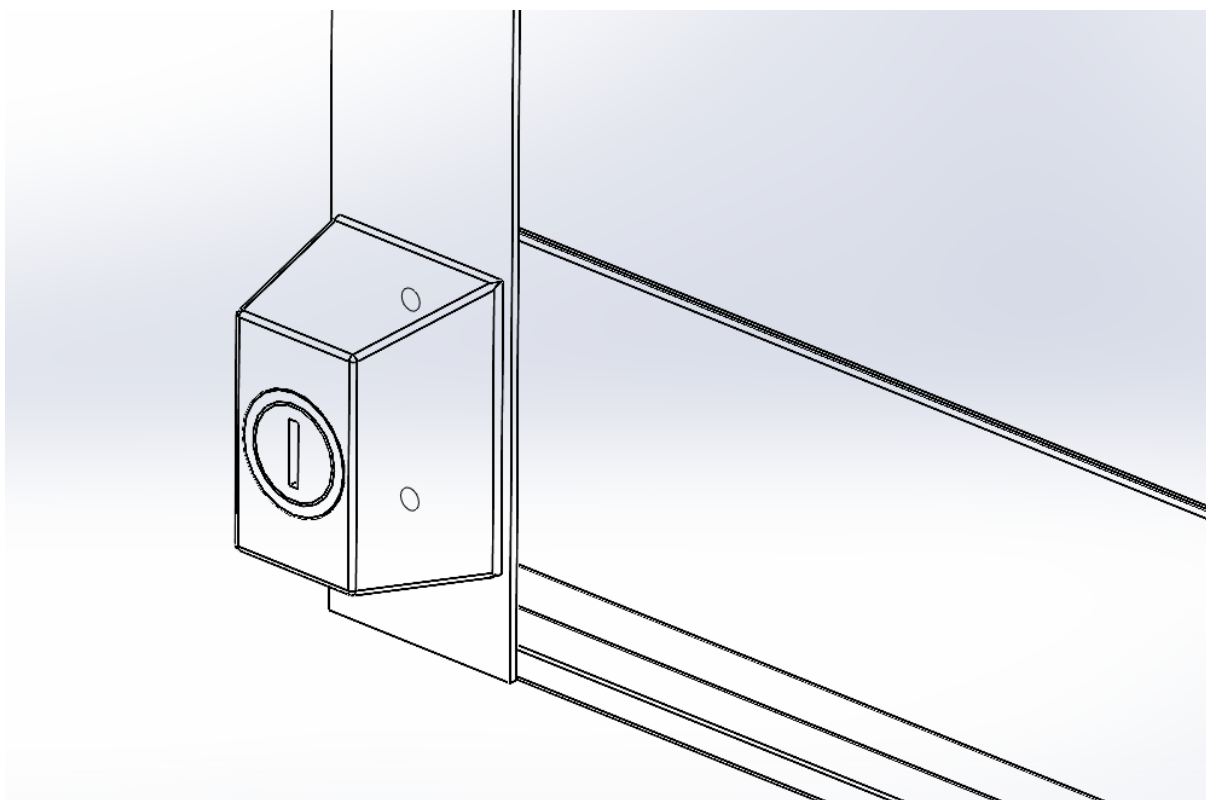




# User manual / Assembly instructions

## Deponti Fiano Lock

Version: EN – November 2021



[www.deponti.com](http://www.deponti.com)

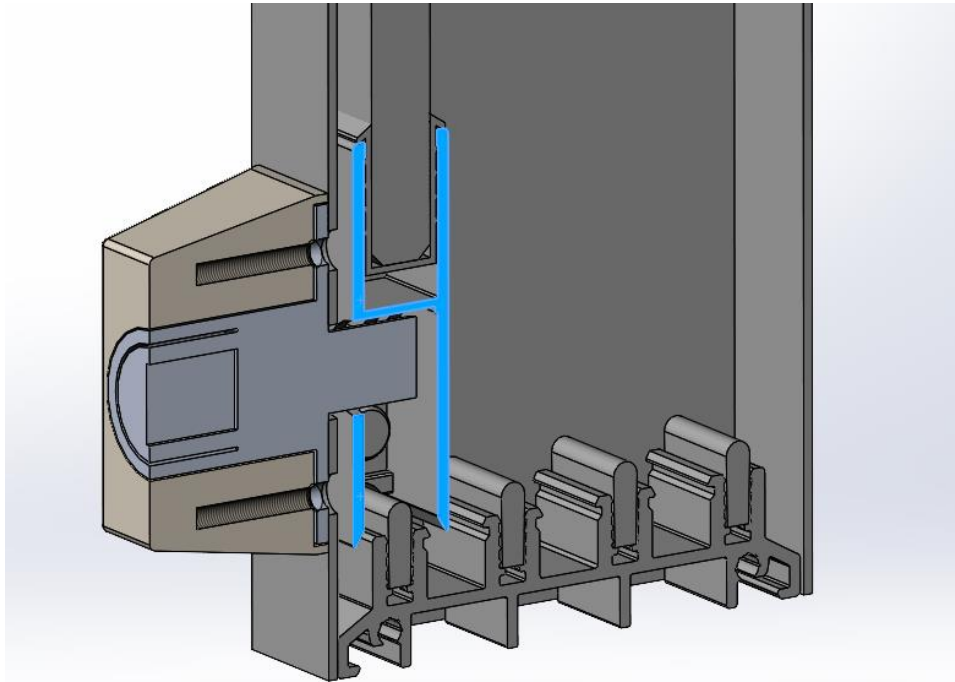


# 1. Manual

1. Make sure the Fiano is installed correctly:
  - a. All doors of the Fiano properly adjusted in height! Adjusting the height afterwards ensures that the holes for the lock are no longer in line.
  - b. Cover caps + stoppers must already be mounted on the H profiles! This prevents the holes for the lock from being misaligned.
  - c. Carriage mounted + 30mm from the end of the H profile. This ensures that there is no drilling through the carriage!
2. Determine the mounting position of the lock.
  - a. On the side of the U profile where the glass door runs against. (For 1 side this is the inside, for the other this is the outside)



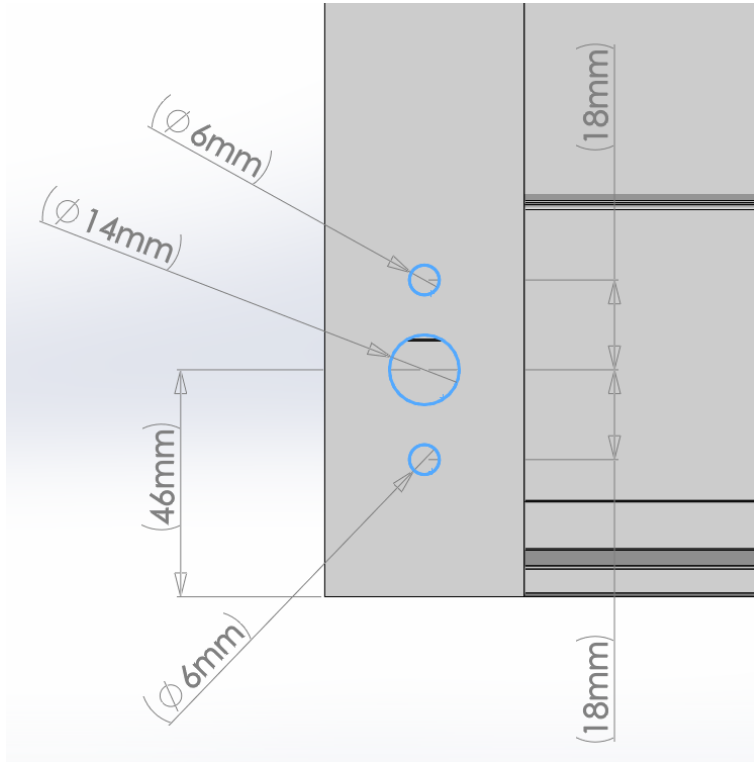
- b. At the bottom of the U profile at the height of the H profile of the glass door.
- c. The pin must lock in the lower half of the H profile, under the glass (otherwise the glass will break!).



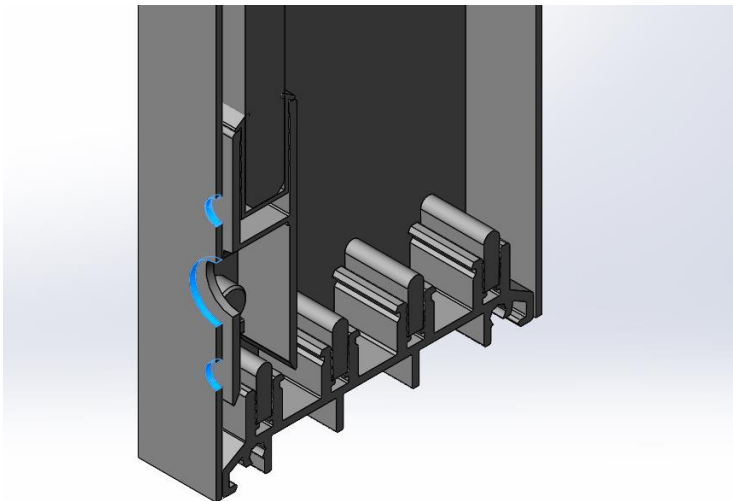
- d. When the lock is mounted too low, it becomes more difficult to tighten the lower Allen screw.



- e. Tip! Use the drilling template on page 6 to determine the position of the holes. Always check that the center hole is not in line with the bottom of the glass.



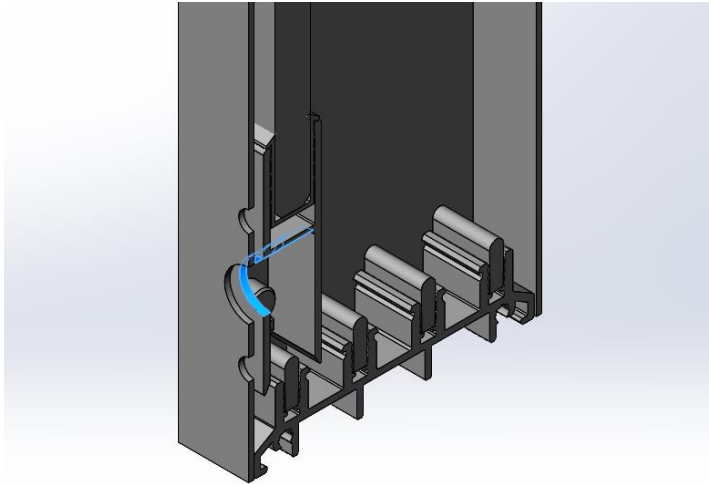
3. Mark the position for 3 holes.
4. Drill the 3 holes with the correct drill size at the marked position in the U profile.



- a. Center hole with 14mm Round (for the lock pin)
- b. 2 holes above and below this hole with 6 mm round (for the m4 bolts)



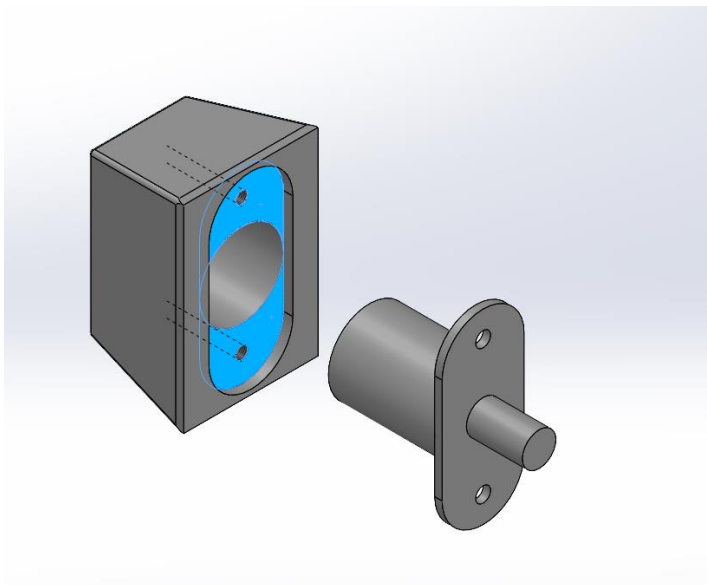
**5. Drill the hole in the H profile of the sliding door.**



- a. Connect the door properly in the U profile! Make sure that the cover + rubber cap are mounted. The subsequent mounting ensures that the holes are no longer in line.
- b. Mark through the middle hole (on the U profile) on the H profile.
- c. Slide the door back
- d. Drill 14mm round to a depth of 12mm (do not pierce completely)
- e. Use our touch-up pen to color in the drilled aluminum.

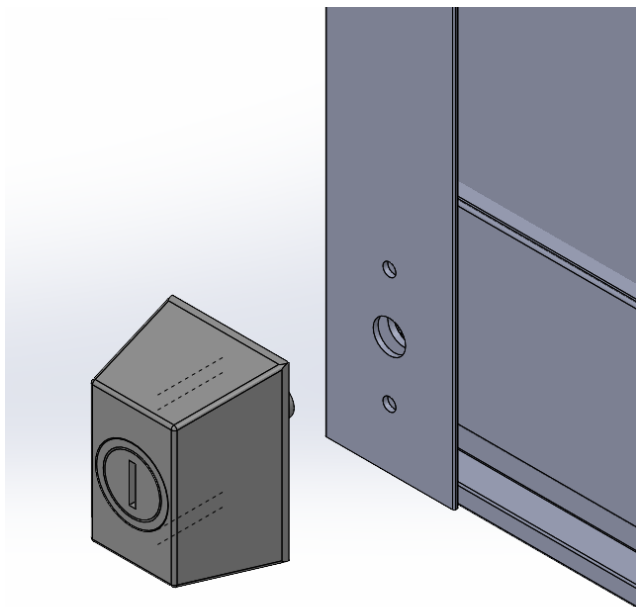
**6. Install the cylinder in the lock.**

**7. Slide the housing around the lock.**

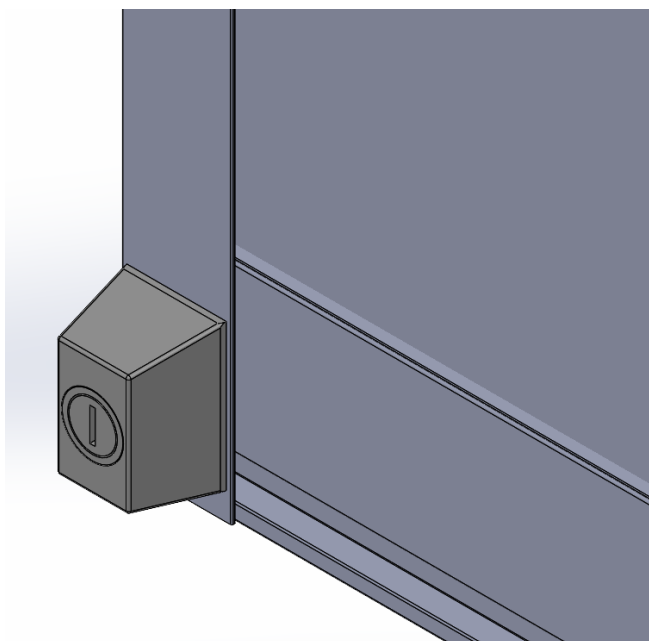




8. Place the housing incl. lock against the U profile.



9. Mount the hole from the inside with the two m4 screws. Tighten it with an Allen key.

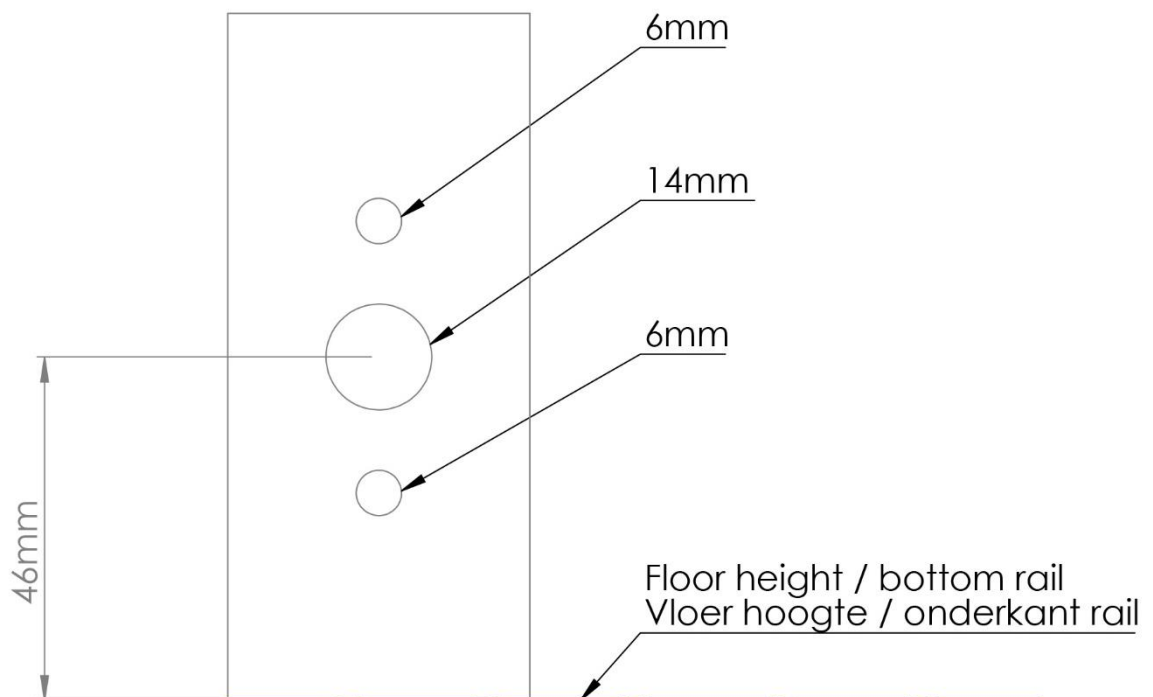


10. Test the operation.



## 2. Drilling Template

Drilling template / Boormal



A4 print - Scale 1:1